

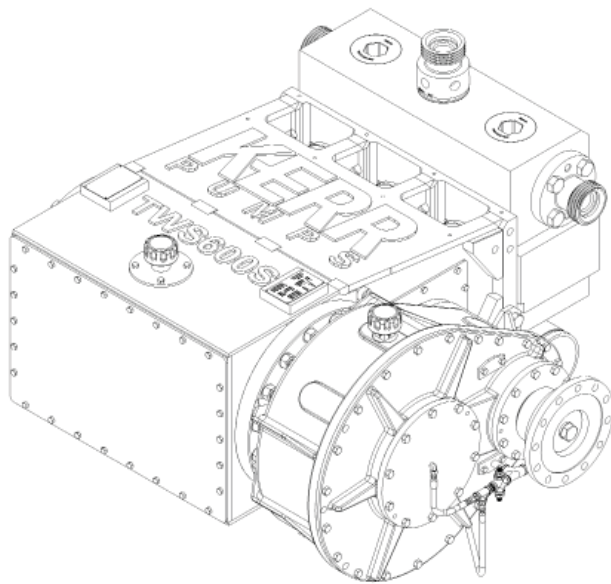
# KERR

## PUMPS

### TWS600S

600 BHP Triplex Plunger Pump

Well Service Duty



### SPECIFICATIONS

Configuration	Horizontal Triplex Plunger
Number of Plungers	3
Stroke Length	6" / 152.4 mm
Frame Load Rating	100,000 lbs
Fluid Cylinder Pressure Rating	15,000 PSI
Pump Weight (Avg.)	4900 lbs / 2210 kilos
Kerr Max Speed	450 RPM
Minimum Speed	50 RPM
Gear Reduction Ratio	4.61:1
Mechanical Efficiency	90%
Lube System (Standard)	Pressure Feed
Lube Oil Capacity	Dry Sump
Lube Oil Type	Petroleum per AGMA 5EP (ISO 220)
Connection Sizes	6" Victaulic Clamp Suction 2" FIG 1502 Fem

### FLUID END

Forged Alloy Steel (4330 VM)
Forged Stainless Steel (17-4 PH)

### VALVES

WING GUIDED INSERT WITH O-RING SEAT

### PLUNGERS

Colmonoy 730 Hard Coat
Black Gold

\* Consult Factory for Authorized Drawings for Dimensions

1) Displacement is based on 100% Volumetric Efficiency (VE)

2) Consult factory for operating speeds above maximum shown

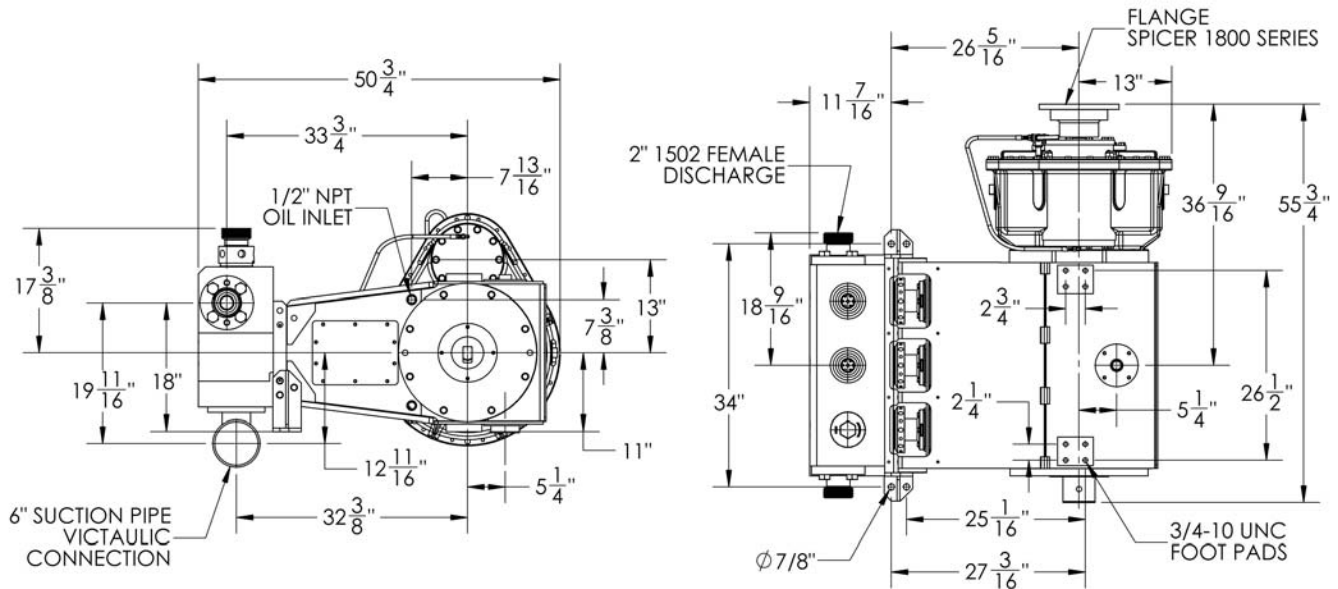
# KERR

## PUMPS

### TWS600S

600 BHP Triplex Plunger Pump

Well Service Duty



### TWS600S-3 TRIPLEX PLUNGER PUMP

		Plunger Diameter			Plunger Diameter		
<b>Diameter ~ inch</b>		2.750			3.000		
<b>Gal / Min per RPM</b>		0.4628			0.5508		
<b>Bbl / Min per RPM</b>		0.0110			0.0131		
<b>Crankshaft RPM</b>	<b>BHP ( 2 ) Required</b>	<b>PSI</b>	<b>GPM ( 1 )</b>	<b>BPM ( 1 )</b>	<b>PSI</b>	<b>GPM ( 1 )</b>	<b>BPM ( 1 )</b>

450	600	4444	208	5.0	3734	248	5.9
400	600	5000	185	4.4	4201	220	5.2
350	600	5714	162	3.9	4801	193	4.6
300	600	6666	139	3.3	5601	165	3.9
250	600	7999	116	2.8	6722	138	3.3
200	600	9999	92.6	2.2	8402	110	2.6
150	600	13332	69.4	1.7	11203	82.6	2.0
100	505	16832	46.3	1.1	14147	55.1	1.3
50	253	16832	23.1	0.6	14147	27.5	0.7

\* Consult Factory for Authorized Drawings for Dimensions

1) Displacement is based on 100% Volumetric Efficiency (VE)

2) Consult factory for operating speeds above maximum shown

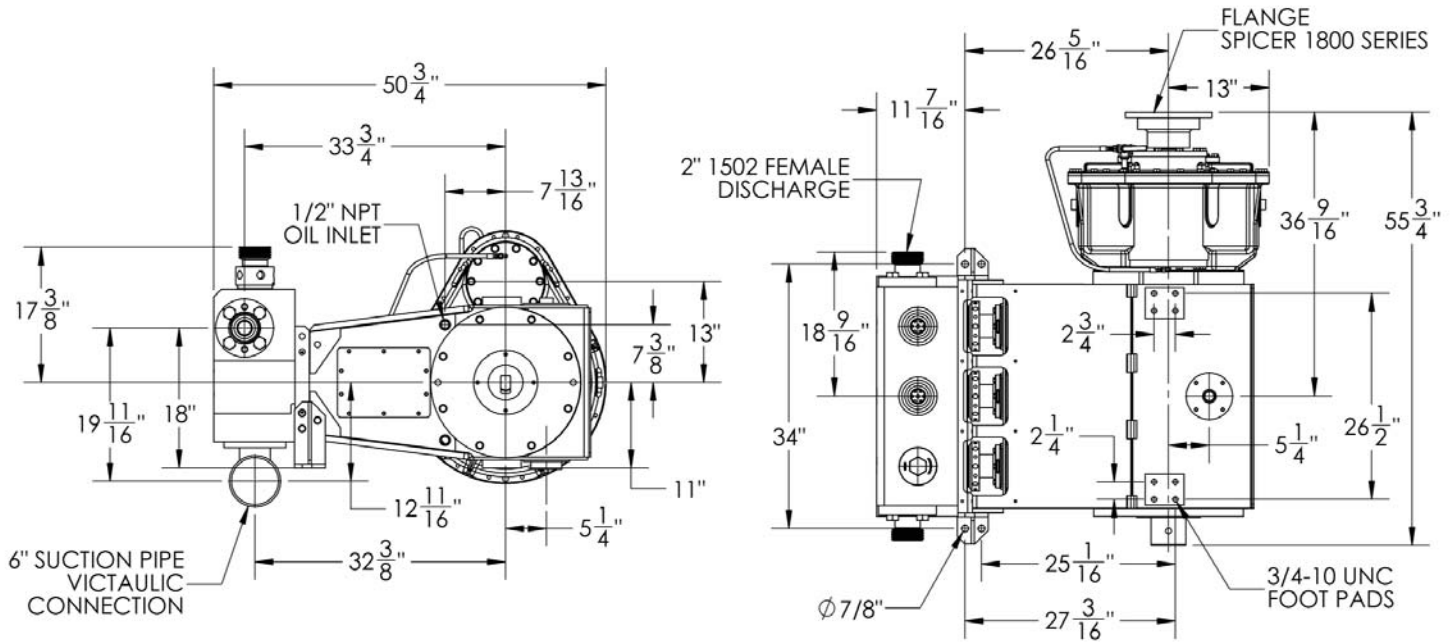
# KERR

## PUMPS

### TWS600S

600 BHP Triplex Plunger Pump

Well Service Duty



### TWS600S-4.5 TRIPLEX PLUNGER PUMP

		Plunger Diameter			Plunger Diameter			Plunger Diameter		
Diameter ~ inch		3.500			4.000			4.500		
Gal / Min per RPM		0.7497			0.9792			1.2393		
Bbl / Min per RPM		0.0178			0.0233			0.0295		
Crankshaft RPM	BHP (2) Required	PSI	GPM (1)	BPM (1)	PSI	GPM (1)	BPM (1)	PSI	GPM (1)	BPM (1)

450	600	2744	337	8.0	2100	441	10.5	1660	558	13.3
400	600	3086	300	7.1	2363	392	9.3	1867	496	11.8
350	600	3527	262	6.2	2701	343	8.2	2134	434	10.3
300	600	4115	225	5.4	3151	294	7.0	2489	372	8.9
250	600	4938	187	4.5	3781	245	5.8	2987	310	7.4
200	600	6173	150	3.6	4726	196	4.7	3734	248	5.9
150	600	8231	112	2.7	6301	147	3.5	4979	186	4.4
100	505	10394	75.0	1.8	7958	98	2.3	6288	124	3.0
50	253	10394	37.5	0.9	7958	49.0	1.2	6288	62.0	1.5

\* Consult Factory for Authorized Drawings for Dimensions

1) Displacement is based on 100% Volumetric Efficiency (VE)

2) Consult factory for operating speeds above maximum shown