

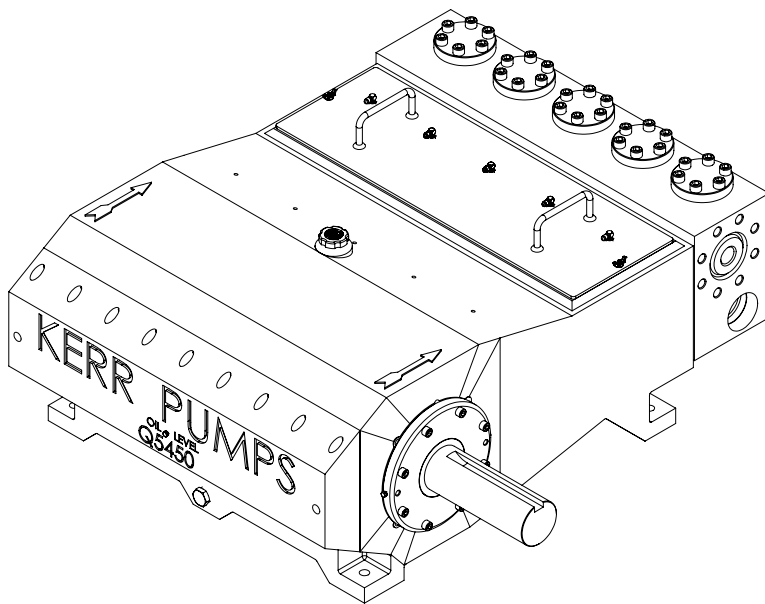
# KERR

## PUMPS

### Q45XP

407 BHP Quintuplex Plunger Pump

Intermittent Duty



### SPECIFICATIONS

Configuration	Horizontal Quintuplex Plunger
Number of Plungers	5
Stroke Length	4.5" / 114.3 mm
Frame Load Rating	14,986 lbs
Fluid Cylinder Pressure Rating	5,000 PSI
Pump Weight (Avg.)	4,100 lbs / 1,860 kilos
Kerr Max Speed	430 RPM
Minimum Speed	100 RPM
Mechanical Efficiency (Bare Shaft)	90%
Lube System (Standard)	Splash
Lube System (Optional)	Force Feed
Lube Oil Capacity	22.5 gallons / 85.2 liters
Lube Oil Type	Petroleum per AGMA 5EP (ISO 220) or Synthetic per SAE 75W-90 (ISO 100)
Connection Sizes	3" NPT Suction 2" ANSI 1500 RTJ or 2 1/16" API 5000 Discharge Flange

### FLUID END

Forged Carbon Steel (A105)
Forged Stainless Steel (316)
Other materials available on request

### VALVES

<b>WING GUIDED</b>	
Ni-Al-Brz (955) / Metal-to-Metal	
Monel / Metal-to-Metal	
SS (316) / Metal-to-Metal	
17-4 HT Metal-to-Metal	
SS (316) / AR Urethane Inserted	
17-4 HT / AR Urethane Inserted	

### PLUNGERS

Colmonoy 730 Hard Coat
Solid Ceramic (2,160 Max. PSI)
Kerramic (Ceramic) Coated
Solid 316 Stainless Steel

\* Consult Factory for Authorized Drawings for Dimensions

1) Displacement is based on 100% Volumetric Efficiency (VE)

2) Consult factory for operating speeds above maximum shown

3) 1 US gallon = 3.78541 liters

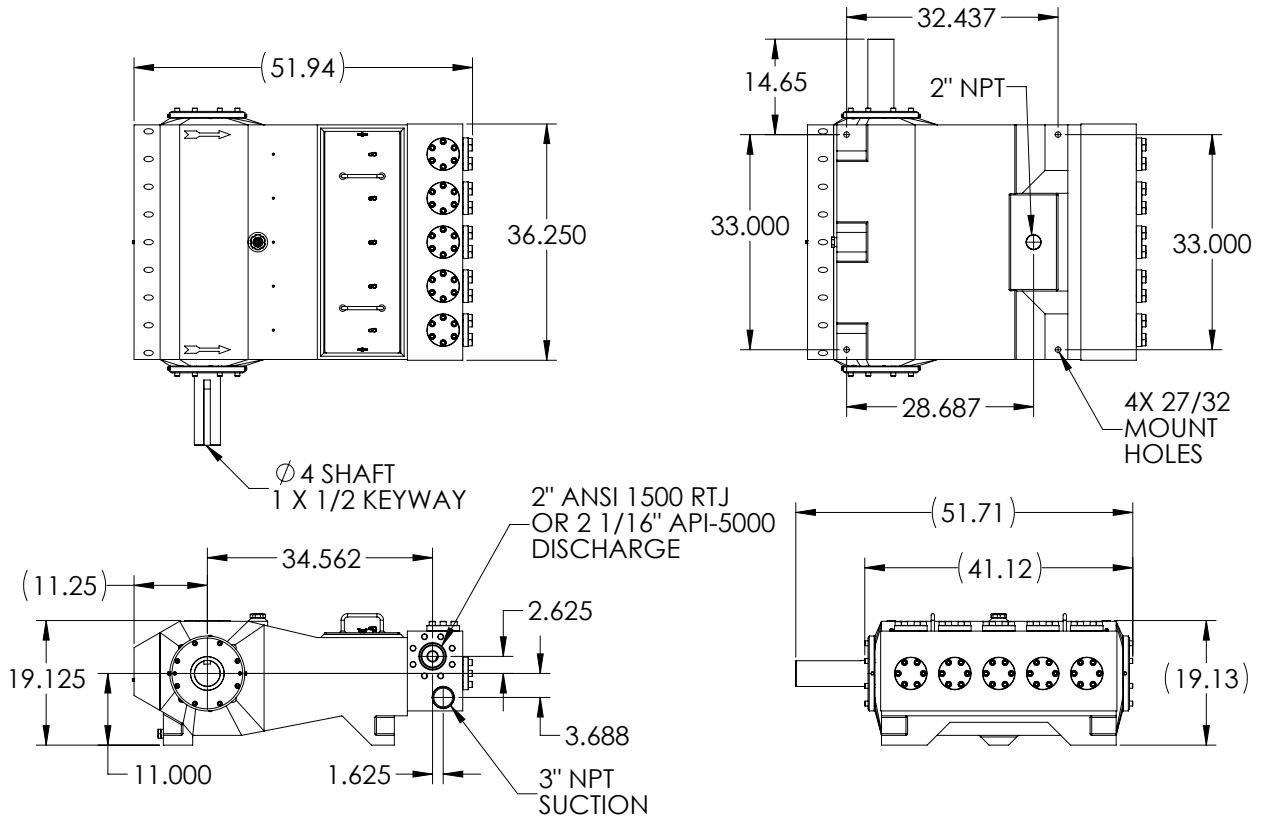
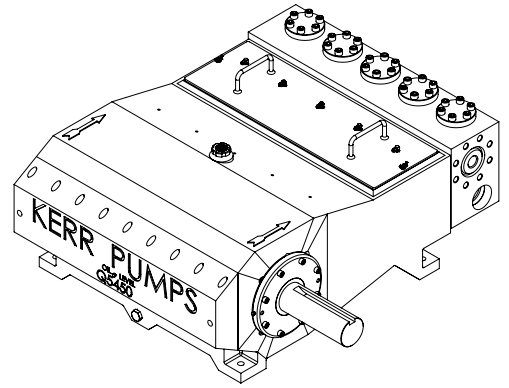
# KERR

## PUMPS

### Q45XP

407 BHP Quintuplex Plunger Pump

Intermittent Duty



PLGR DIA. INCHES	MAX PRESS PSI	DISP GAL PER REV	DISPLACEMENT																	
			100 RPM		150 RPM		200 RPM		250 RPM		270 RPM		300 RPM		330 RPM		350 RPM		420 RPM	
			GPM	BPD	GPM	BPD	GPM	BPD	GPM	BPD	GPM	BPD	GPM	BPD	GPM	BPD	GPM	BPD	GPM	BPD
1.750	5000	0.2343	23.4	804	35.1	1205	46.9	1607	58.6	2009	63.3	2170	70.3	2411	77.3	2652	82.0	2813	98.4	3375
2.000	4770	0.3060	30.6	1050	45.9	1574	61.2	2099	76.5	2624	82.6	2834	91.8	3149	101	3464	107	3674	129	4408
2.250	3769	0.3873	38.7	1328	58.1	1993	77.5	2657	96.8	3321	105	3587	116	3985	128	4384	136	4649	N/A	
2.500	3053	0.4781	47.8	1640	71.7	2460	95.6	3280	120	4100	129	4428	143	4920	N/A		N/A		N/A	

\* Consult Factory for Authorized Drawings for Dimensions

1) Displacement is based on 100% Volumetric Efficiency (VE)

2) Consult factory for operating speeds above maximum shown

3) 1 US gallon = 3.78541 liters