

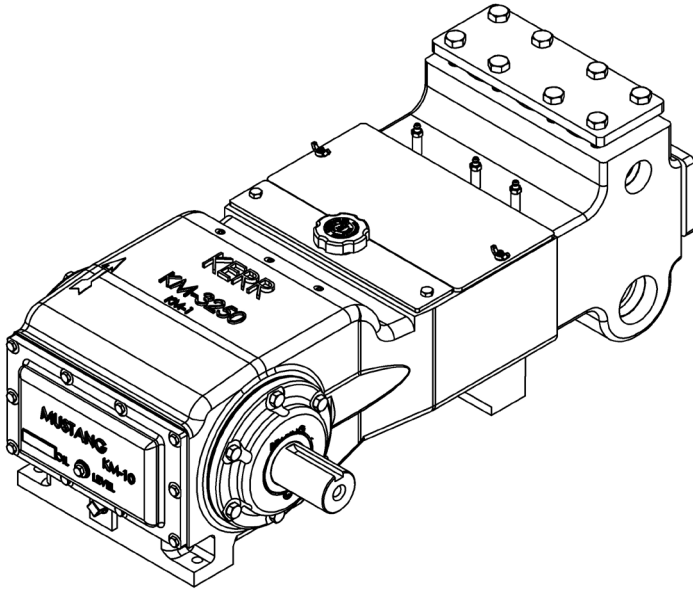
# KERR

## PUMPS

### KM-3250PT

42.7 BHP Triplex Piston Pump

Intermittent Duty



**KM-3250BCRH**

### SPECIFICATIONS

Configuration	Horizontal Triplex Piston
Number of Plungers	3
Stroke Length	2.5" / 31.8 mm
Frame Load Rating	3,978 lbs
Forged Fluid Cylinder Pressure Rating	2,251 PSI
Pump Weight (Avg.)	340 lbs / 155 kilos
Continuous Speed Rating	510 RPM
API-674 Max Recommended Speed	
Minimum Speed	100 RPM
Mechanical Efficiency	90%
Lube System (Standard)	Splash
Lube System (Optional)	Force Feed
Lube Oil Capacity	4 quarts / 3.785 liters
Lube Oil Type	75W-90 / ISO 150
Connection Sizes	2" NPT Suction 1 1/4" NPT Discharge

### FLUID END

Cast Ductile Iron
Nickel Aluminum Bronze 955
Cast Carbon Steel WCB
Cast Stainless Steel CF8M
Forged Steel A-105

### PISTONS

HSN
Uron

### VALVES

DISC TYPE	WING GUIDED
Delrin Disc / AB Seat	Aluminum Bronze
Stainless Steel / SS Seat	Monel
Titanium / Monel Seat	Stainless Steel
	17-4 HT /AR
	Stainless Steel / AR

\* Consult Factory for Authorized Drawings for Dimensions ~ Threaded or Flanged Connections Available

\* Flanges Available Only With Steel or Stainless Steel Fluid Ends

1) Displacement is based on 100% Volumetric Efficiency (VE)

2) BHP / KW is based on 90% Mechanical Efficiency (ME)

3) Consult factory for operating speeds above maximum shown

4) 1 US gallon = 3.78541 liters

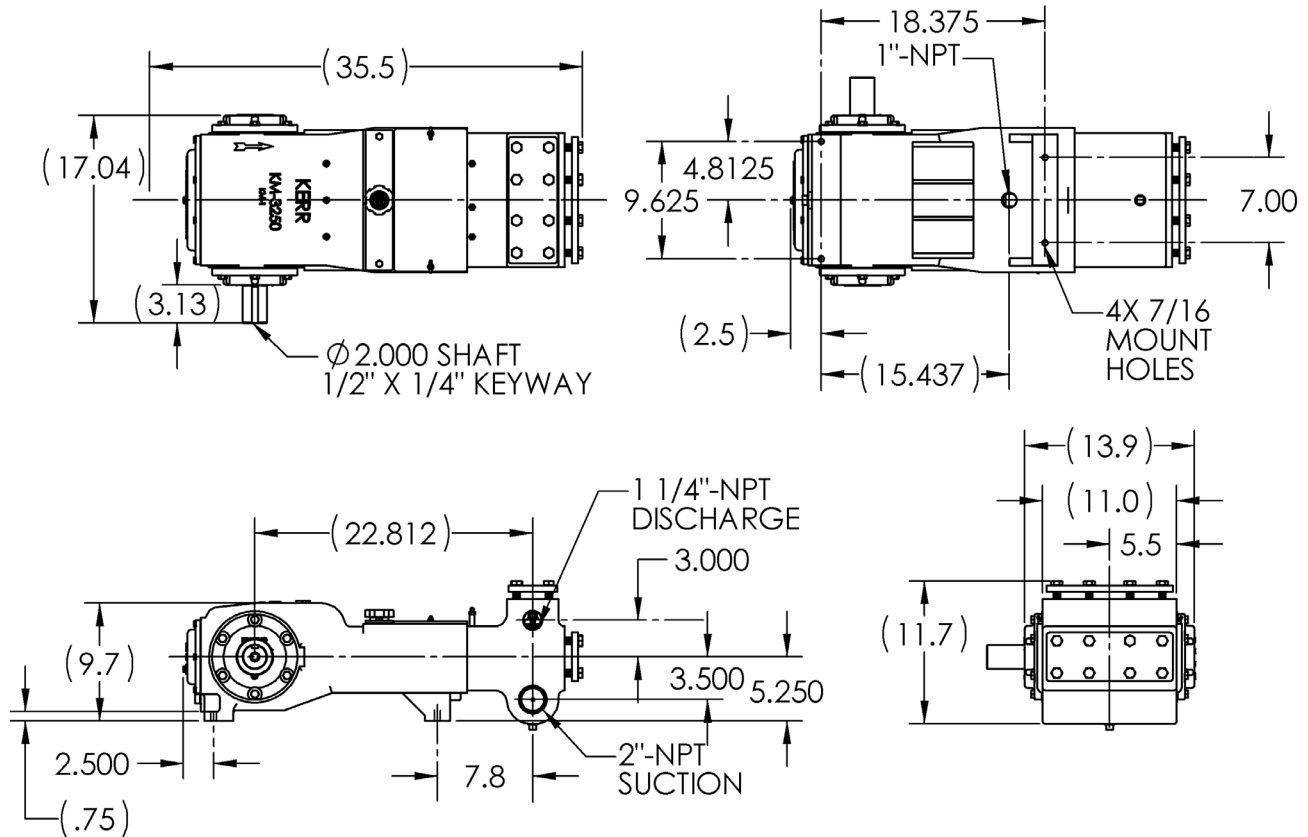
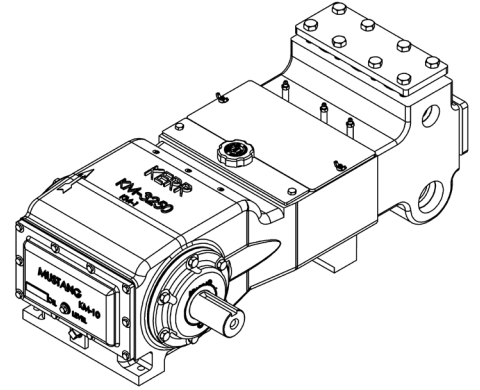
# KERR

## PUMPS

### KM-3250PT

42.7 BHP Triplex Piston Pump

Intermittent Duty



PIST DIA. INCHES	MAX PRESS PSI	DISP GAL PER REV	DISPLACEMENT																	
			100 RPM		160 RPM		210 RPM		260 RPM		310 RPM		360 RPM		410 RPM		460 RPM		510 RPM	
			GPM	BPD	GPM	BPD	GPM	BPD	GPM	BPD	GPM	BPD	GPM	BPD	GPM	BPD	GPM	BPD	GPM	BPD
1.500	2251	0.0574	5.7	197	9.2	315	12.0	413	14.9	512	17.8	610	20.7	708	23.5	807	26.4	905	29.3	1004
1.750	1654	0.0781	7.8	268	12.5	429	16.4	563	20.3	696	24.2	830	28.1	964	32.0	1098	35.9	1232	39.8	1366
2.000	1266	0.1020	10.2	350	16.3	560	21.4	735	26.5	910	31.6	1085	36.7	1259	41.8	1434	46.9	1609	52.0	1784
2.250	1000	0.1291	12.9	443	20.7	708	27.1	930	33.6	1151	40.0	1373	46.5	1594	52.9	1815	59.4	2037	65.8	2258

\* Consult Factory for Authorized Drawings for Dimensions ~ Threaded or Flanged Connections Available

\* Flanges Available Only With Steel or Stainless Steel Fluid Ends

1) Displacement is based on 100% Volumetric Efficiency (VE)

2) BHP / KW is based on 90% Mechanical Efficiency (ME)

3) Consult factory for operating speeds above maximum shown

4) 1 US gallon = 3.78541 liters