

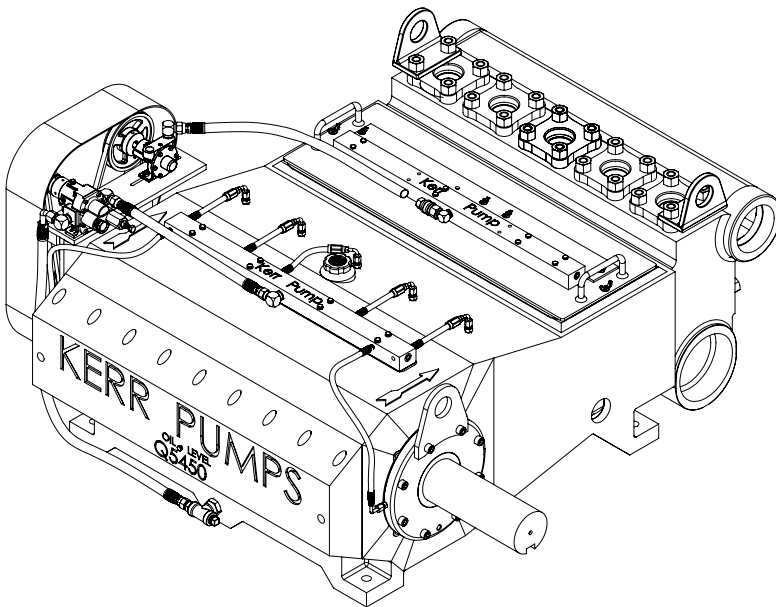
KERR

PUMPS

Q45PT

355 BHP Quintuplex Piston Pump

Intermittent Duty



SPECIFICATIONS

Configuration	Horizontal Quintuplex Plunger
Number of Pistons	5
Stroke Length	4.5" / 114.3 mm
Frame Load Rating	14,986 lbs
Fluid Cylinder Pressure Rating	2,160 PSI
Pump Weight (Avg.)	4,100 lbs / 1,860 kilos
Kerr Max Speed	375 RPM
Minimum Speed	100 RPM
Mechanical Efficiency (Bare Shaft)	90%
Lube System (Standard)	Splash - Gravity Feed
Lube System (Optional)	Force Feed
Lube Oil Capacity	22.5 gallons / 85.2 liters
Lube Oil Type	Petroleum per AGMA 5EP (ISO 220) or Synthetic per SAE 75W-90 (ISO 100)
Connection Sizes	6" NPT Suction 4" NPT Discharge

FLUID END

Cast Ductile Iron
Other materials available on request

VALVES

WING GUIDED	
17-4 HT / AR Urethane Inserted	

PISTONS / LINERS

Rubber / Ceramic Sleeved
Rubber / Chrome Plated-Sleeved
Rubber / Kerramic (Ceramic) Coat

* Consult Factory for Authorized Drawings for Dimensions

1) Displacement is based on 100% Volumetric Efficiency (VE)

2) Consult factory for operating speeds above maximum shown

3) 1 US gallon = 3.78541 liters

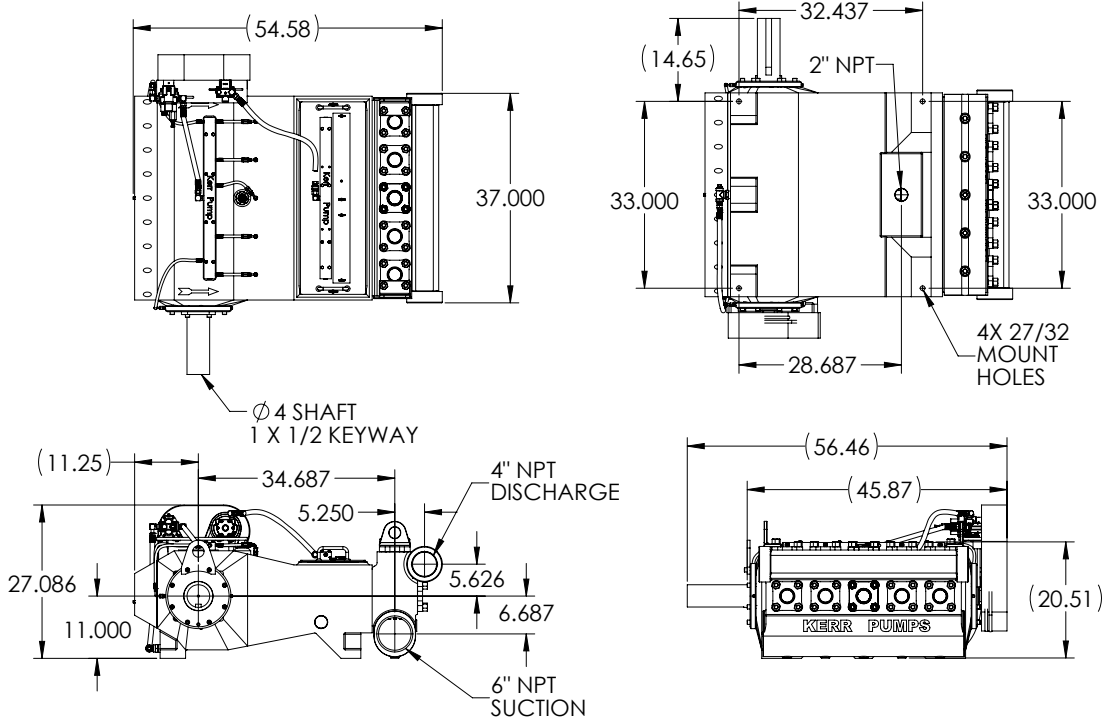
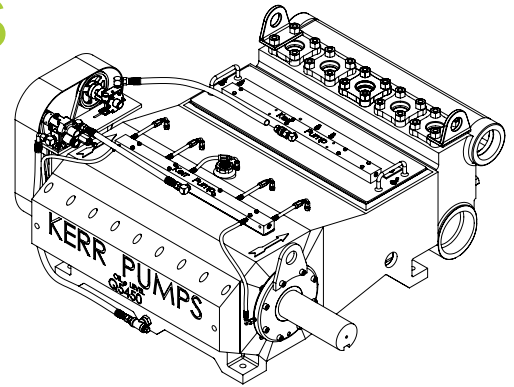
KERR

PUMPS

Q45PT

355 BHP Quintuplex Piston Pump

Intermittent Duty



PISTON DIA. INCHES	MAX PRESS PSI	DISP GAL PER REV	DISPLACEMENT																	
			100 RPM		130 RPM		160 RPM		190 RPM		226 RPM		253 RPM		285 RPM		325 RPM		375 RPM	
			GPM	BPD	GPM	BPD	GPM	BPD	GPM	BPD	GPM	BPD	GPM	BPD	GPM	BPD	GPM	BPD	GPM	BPD
3.500	1558	0.9371	93.7	3214	122	4179	150	5143	178	6107	212	7264	237	8132	267	9161	305	10447	351	12054
3.750	1357	1.0758	108	3690	140	4797	172	5904	204	7011	243	8339	272	9335	307	10516	350	11992	N/A	N/A
4.000	1193	1.2240	122	4198	159	5458	196	6717	233	7977	277	9488	310	10622	349	11965	N/A	N/A	N/A	N/A
4.250	1056	1.3818	138	4739	180	6161	221	7583	263	9005	312	10711	350	11991	N/A	N/A	N/A	N/A	N/A	N/A
4.500	942	1.5491	155	5313	201	6908	248	8502	294	10096	350	12008	N/A	N/A	N/A	N/A	N/A	N/A	N/A	N/A

* Consult Factory for Authorized Drawings for Dimensions

1) Displacement is based on 100% Volumetric Efficiency (VE)

2) Consult factory for operating speeds above maximum shown

3) 1 US gallon = 3.78541 liters