

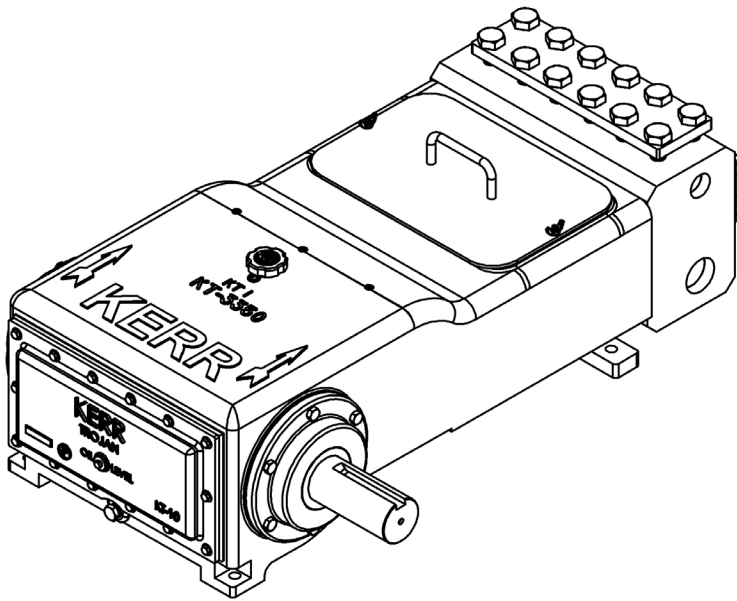
KERR

PUMPS

KT-3350HP

95.9 BHP Triplex Plunger Pump

Intermittent Duty



KT-3400HP RH

SPECIFICATIONS

Configuration	Horizontal Triplex Plunger
Number of Plungers	3
Stroke Length	3.5" / 89 mm
Frame Load Rating	7,569 lbs
Fluid Cylinder Pressure Rating	6,000 PSI
Pump Weight (Avg.)	1,200 lbs / 545 kilos
Kerr Max Speed	430 RPM
Minimum Speed	100 RPM
Mechanical Efficiency (Bare Shaft)	90%
Lube System (Standard)	Splash - Gravity Feed
Lube System (Optional)	Force Feed
Lube Oil Capacity	16 quarts / 15.4 liters
Lube Oil Type	Petroleum per AGMA 5EP (ISO 220) or Synthetic per SAE 75W-90 (ISO 100)
Connection Sizes	2" NPT Suction 1 1/4" NPT Discharge

FLUID END

Forged Carbon Steel (A105)
Forged Stainless Steel (316)
Other materials available on request

VALVES

WING GUIDED	
Ni-Al-Brz (955) / Metal-to-Metal	
Monel / Metal-to-Metal	
SS (316) / Metal-to-Metal	
17-4 HT Metal-to-Metal	
SS (316) / AR Urethane Inserted	
17-4 HT / AR Urethane Inserted	

PLUNGERS

Colmonoy 730 Hard Coat
Solid Ceramic (2,160 Max. PSI)
Kerramic (Ceramic) Coated
Solid 316 Stainless Steel

* Consult Factory for Authorized Drawings for Dimensions

1) Displacement is based on 100% Volumetric Efficiency (VE)

2) Consult factory for operating speeds above maximum shown

3) 1 US gallon = 3.78541 liters

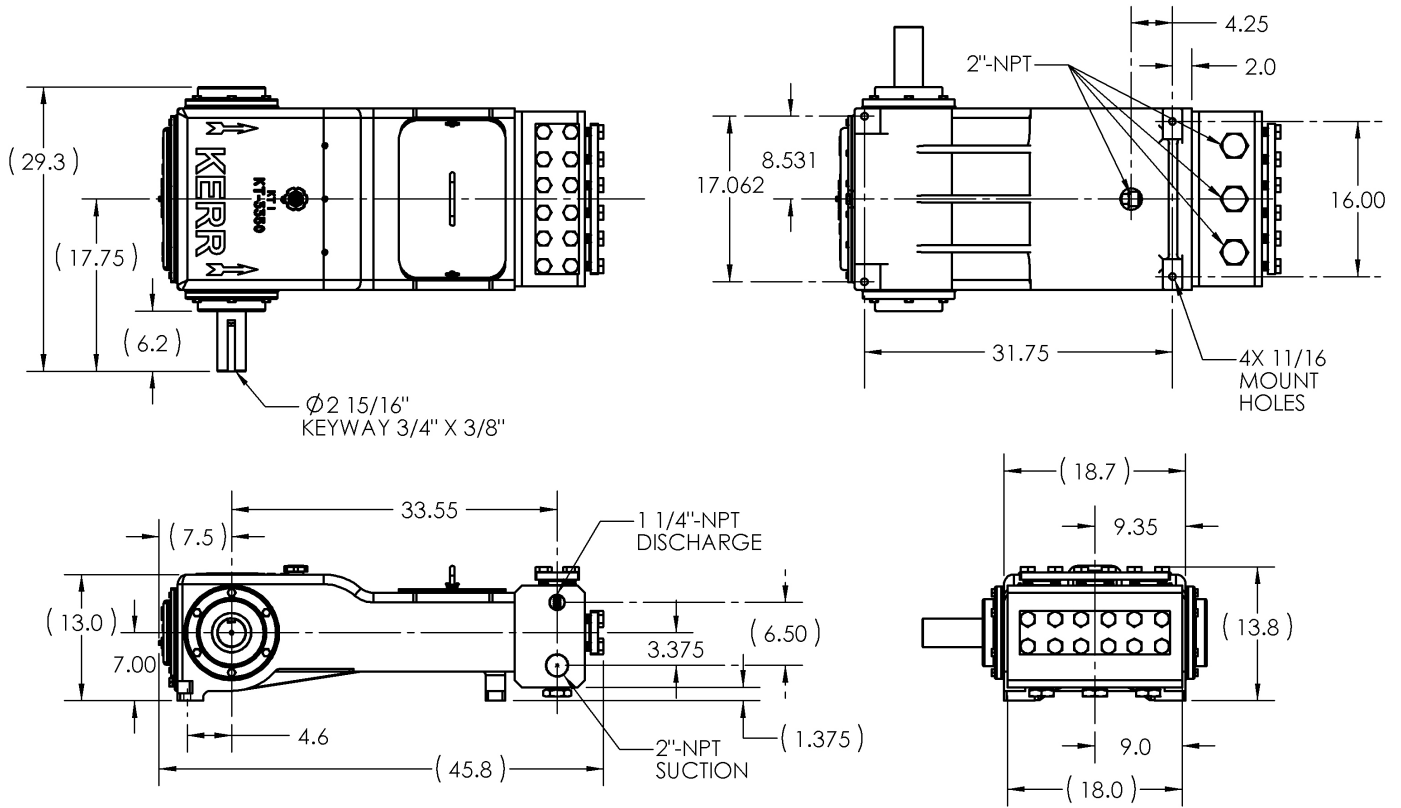
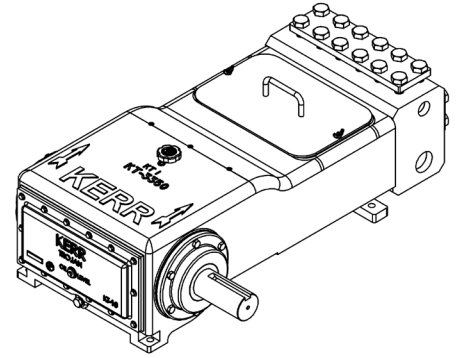
KERR

PUMPS

KT-3350HP

95.9 BHP Triplex Plunger Pump

Intermittent Duty



PLGR DIA. INCHES	MAX PRESS PSI	DISP GAL PER REV	DISPLACEMENT																	
			100 RPM		150 RPM		190 RPM		230 RPM		270 RPM		310 RPM		350 RPM		390 RPM		430 RPM	
			GPM	BPD	GPM	BPD	GPM	BPD	GPM	BPD	GPM	BPD	GPM	BPD	GPM	BPD	GPM	BPD	GPM	BPD
1.250	6000	0.0558	5.6	191	8.4	287	10.6	364	12.8	440	15.1	517	17.3	593	19.5	670	21.8	746	24.0	823
1.500	4283	0.0803	8.0	276	12.0	413	15.3	523	18.5	634	21.7	744	24.9	854	28.1	964	31.3	1075	34.5	1185
1.750	3147	0.1093	10.9	375	16.4	563	20.8	713	25.1	863	29.5	1013	33.9	1163	38.3	1313	42.6	1463	47.0	1613

* Consult Factory for Authorized Drawings for Dimensions

1) Displacement is based on 100% Volumetric Efficiency (VE)

2) Consult factory for operating speeds above maximum shown

3) 1 US gallon = 3.78541 liters