

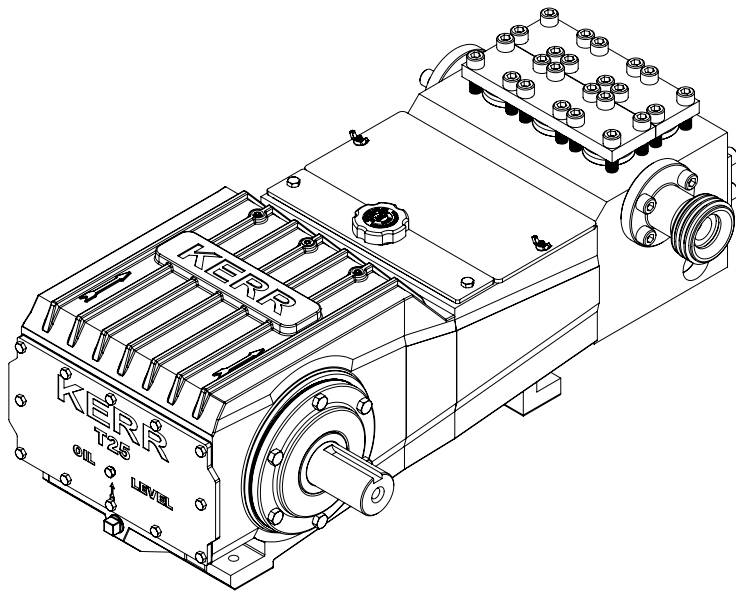
KERR

PUMPS

T25H

46 BHP Triplex Plunger Pump

Intermittent Duty



SPECIFICATIONS

Configuration	Horizontal Triplex Plunger
Number of Plungers	3
Stroke Length	2.5" / 63.5 mm
Frame Load Rating	4,288 lbs
Fluid Cylinder Pressure Rating	15,000 PSI
Pump Weight (Avg.)	340 lbs / 155 kilos
Kerr Max Speed	510 RPM
Minimum Speed	100 RPM
Mechanical Efficiency (Bare Shaft)	90%
Lube System (Standard)	Splash- Gravity Feed
Lube System (Optional)	Force Feed
Lube Oil Capacity	5 quarts / 4.73 liters
Lube Oil Type	Petroleum per AGMA 5EP (ISO 220) or Synthetic per SAE 75W-90 (ISO 100)
Connection Sizes	1 1/4" NPT Suction 1" 1502 Half Union Discharge

FLUID END

Forged Carbon Steel (A105)
Forged Stainless Steel (316)
Other materials available on request

PLUNGERS

Colmonoy 730 Hard Coat
Solid Ceramic (2,160 Max. PSI)
Kerramic (Ceramic) Coated
Solid 316 Stainless Steel

VALVES

BALL VALVE / SEAT MATERIAL	
Stanalloy / Stanalloy (440 SS)	
Sheralloy / Sheralloy (Cobalt Base)	

* Consult Factory for Authorized Drawings for Dimensions

1) Displacement is based on 100% Volumetric Efficiency (VE)

2) Consult factory for operating speeds above maximum shown

3) 1 US gallon = 3.78541 liters

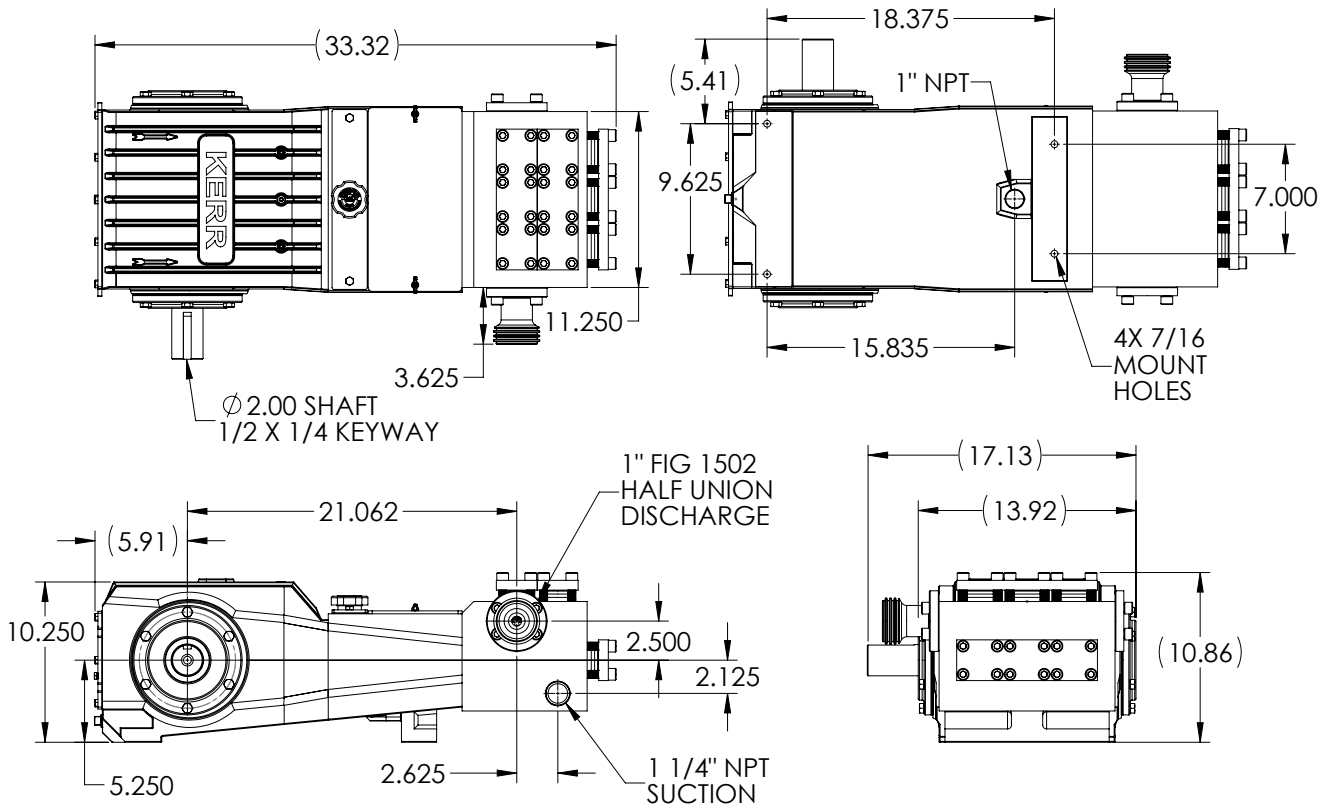
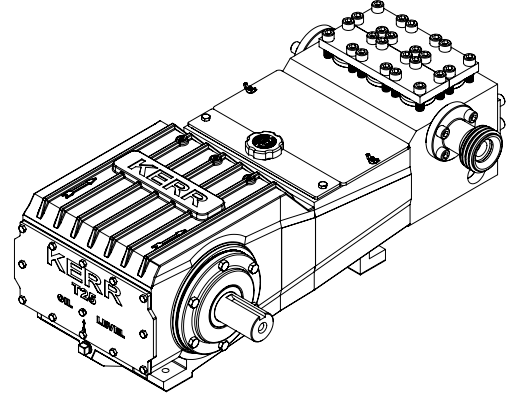
KERR

PUMPS

T25H

46 BHP Triplex Plunger Pump

Intermittent Duty



PLGR DIA. INCHES	MAX PRESS PSI	DISP GAL PER REV	DISPLACEMENT																	
			100 RPM		160 RPM		210 RPM		260 RPM		310 RPM		360 RPM		410 RPM		460 RPM		510 RPM	
			GPM	BPD	GPM	BPD	GPM	BPD	GPM	BPD	GPM	BPD	GPM	BPD	GPM	BPD	GPM	BPD	GPM	BPD
0.625	13977	0.0100	1.0	34	1.6	55	2.1	72	2.6	89	3.1	106	3.6	123	4.1	140	4.6	157	5.1	174
0.750	9706	0.0143	1.4	49	2.3	79	3.0	103	3.7	128	4.4	153	5.2	177	5.9	202	6.6	226	7.3	251
0.875	7131	0.0195	2.0	67	3.1	107	4.1	141	5.1	174	6.1	208	7.0	241	8.0	275	9.0	308	10.0	342
1.000	5460	0.0255	2.5	87	4.1	140	5.4	184	6.6	227	7.9	271	9.2	315	10.5	359	11.7	402	13.0	446
1.250	3494	0.0398	4.0	137	6.4	219	8.4	287	10.4	355	12.4	424	14.3	492	16.3	560	18.3	629	20.3	697

* Consult Factory for Authorized Drawings for Dimensions

1) Displacement is based on 100% Volumetric Efficiency (VE)

2) Consult factory for operating speeds above maximum shown

3) 1 US gallon = 3.78541 liters