

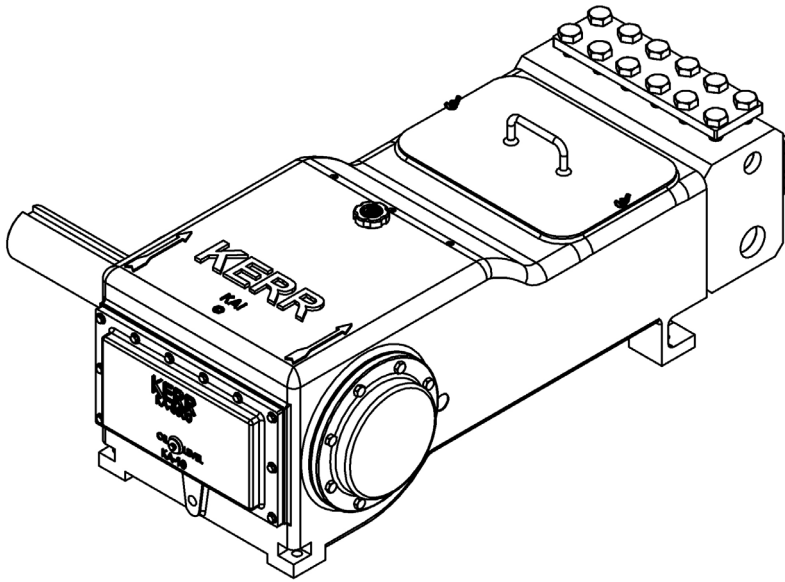
KERR

PUMPS

KA-3500HP

141 BHP Triplex Plunger Pump

Intermittent Duty



KA-3500HP

SPECIFICATIONS

Configuration	Horizontal Triplex Plunger
Number of Plungers	3
Stroke Length	5" / 127 mm
Frame Load Rating	8,663 lbs
Fluid Cylinder Pressure Rating	6,000 PSI
Pump Weight (Avg.)	1,900 lbs / 864 kilos
Kerr Max Speed	385 RPM
Minimum Speed	100 RPM
Mechanical Efficiency (Bare Shaft)	90%
Lube System (Standard)	Splash
Lube System (Optional)	Force Feed
Lube Oil Capacity	24 quarts / 22.75 liters
Lube Oil Type	Petroleum per AGMA 5EP (ISO 220) or Synthetic per SAE 75W-90 (ISO 100)
Connection Sizes	2" NPT Suction 1 1/4" NPT Discharge

FLUID END

Forged Carbon Steel (A105)
Forged Stainless Steel (316)
Other materials available on request

VALVES

WING GUIDED	
Ni-Al-Brz (955) / Metal-to-Metal	
Monel / Metal-to-Metal	
SS (316) / Metal-to-Metal	
17-4 HT Metal-to-Metal	
SS (316) / AR Urethane Inserted	
17-4 HT / AR Urethane Inserted	

PLUNGERS

Colmonoy 730 Hard Coat
Solid Ceramic (2,160 Max. PSI)
Kerramic (Ceramic) Coated
Solid 316 Stainless Steel

* Consult Factory for Authorized Drawings for Dimensions

1) Displacement is based on 100% Volumetric Efficiency (VE)

2) Consult factory for operating speeds above maximum shown

3) 1 US gallon = 3.78541 liters

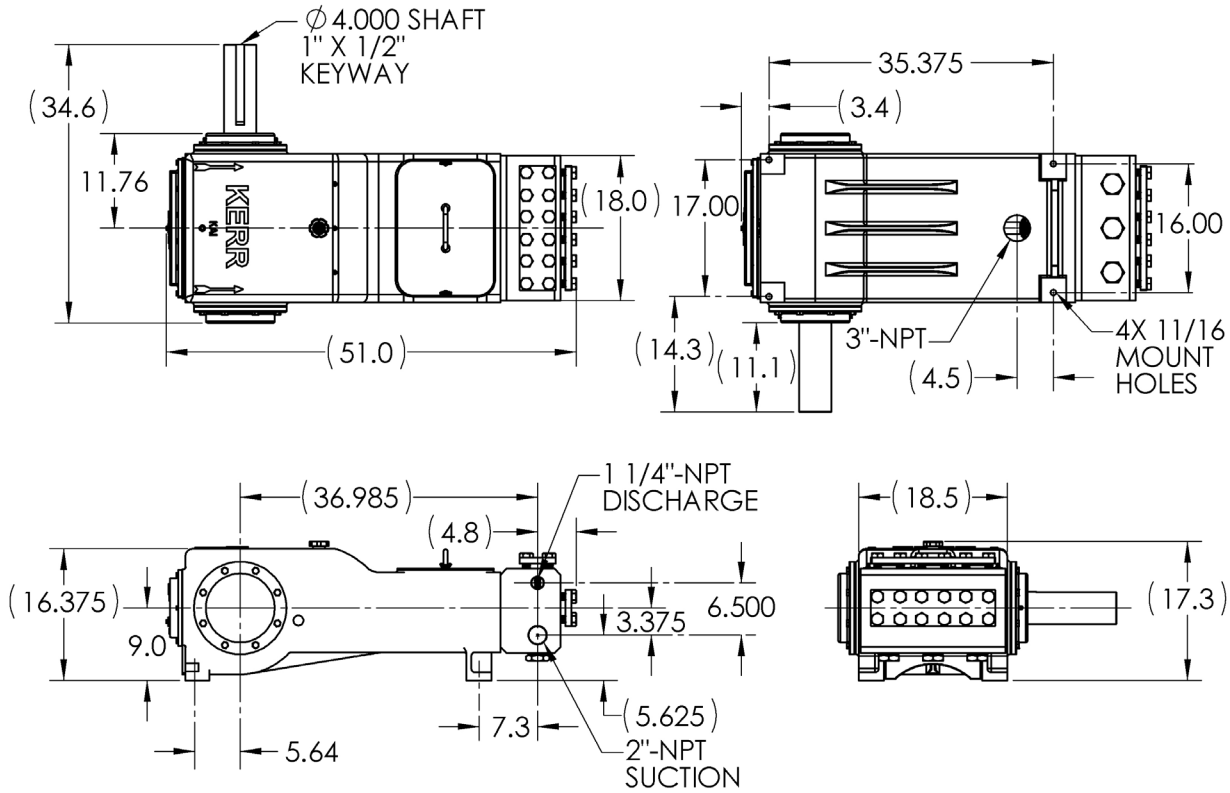
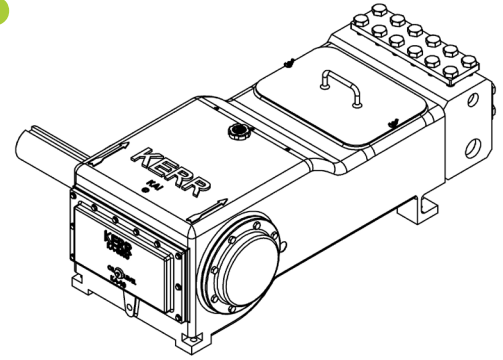
KERR

PUMPS

KA-3500HP

141 BHP Triplex Plunger Pump

Intermittent Duty



PLGR DIA. INCHES	MAX PRESS PSI	DISP GAL PER REV	DISPLACEMENT																	
			100 RPM		140 RPM		175 RPM		210 RPM		245 RPM		280 RPM		315 RPM		350 RPM		385 RPM	
			GPM	BPD	GPM	BPD	GPM	BPD	GPM	BPD	GPM	BPD	GPM	BPD	GPM	BPD	GPM	BPD	GPM	BPD
1.250	6000	0.0797	8.0	273	11.2	383	13.9	478	16.7	574	19.5	670	22.3	765	25.1	861	27.9	957	30.7	1052
1.500	4902	0.1147	11.5	394	16.1	551	20.1	689	24.1	827	28.1	964	32.1	1102	36.1	1240	40.2	1378	44.2	1515
1.750	3601	0.1562	15.6	536	21.9	750	27.3	938	32.8	1125	38.3	1313	43.7	1500	49.2	1688	54.7	1875	60.1	2063
2.000	2757	0.2040	20.4	700	28.6	980	35.7	1225	42.8	1469	50.0	1714	57.1	1959	64.3	2204	71.4	2449	78.5	2694

* Consult Factory for Authorized Drawings for Dimensions

1) Displacement is based on 100% Volumetric Efficiency (VE)

2) Consult factory for operating speeds above maximum shown

3) 1 US gallon = 3.78541 liters