

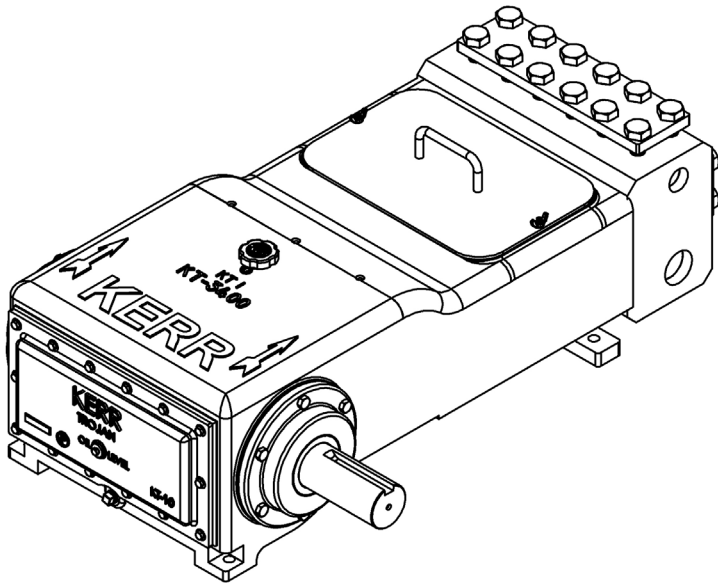
KERR

PUMPS

KT-3400HP

106 BHP Triplex Plunger Pump

Intermittent Duty



KT-3400HP RH

SPECIFICATIONS

Configuration	Horizontal Triplex Plunger
Number of Plungers	3
Stroke Length	4" / 101.6 mm
Frame Load Rating	7,569 lbs
Fluid Cylinder Pressure Rating	6,000 PSI
Pump Weight (Avg.)	1,200 lbs / 545 kilos
Kerr Max Speed	420 RPM
Minimum Speed	100 RPM
Mechanical Efficiency (Bare Shaft)	90%
Lube System (Standard)	Splash - Gravity
Lube System (Optional)	Force Feed
Lube Oil Capacity	16 quarts / 15.4 liters
Lube Oil Type	Petroleum per AGMA 5EP (ISO 220) or Synthetic per SAE 75W-90 (ISO 100)
Connection Sizes	1 1/4" NPT Suction 2" NPT Discharge

FLUID END

Forged Carbon Steel (A105)
Forged Stainless Steel (316)
Other materials available on request

VALVES

WING GUIDED	
Ni-Al-Brz (955) / Metal-to-Metal	
Monel / Metal-to-Metal	
SS (316) / Metal-to-Metal	
17-4 HT Metal-to-Metal	
SS (316) / AR Urethane Inserted	
17-4 HT / AR Urethane Inserted	

PLUNGERS

Colmonoy 730 Hard Coat
Solid Ceramic (2,160 Max. PSI)
Kerramic (Ceramic) Coated
Solid 316 Stainless Steel

* Consult Factory for Authorized Drawings for Dimensions

1) Displacement is based on 100% Volumetric Efficiency (VE)

2) Consult factory for operating speeds above maximum shown

3) 1 US gallon = 3.78541 liters

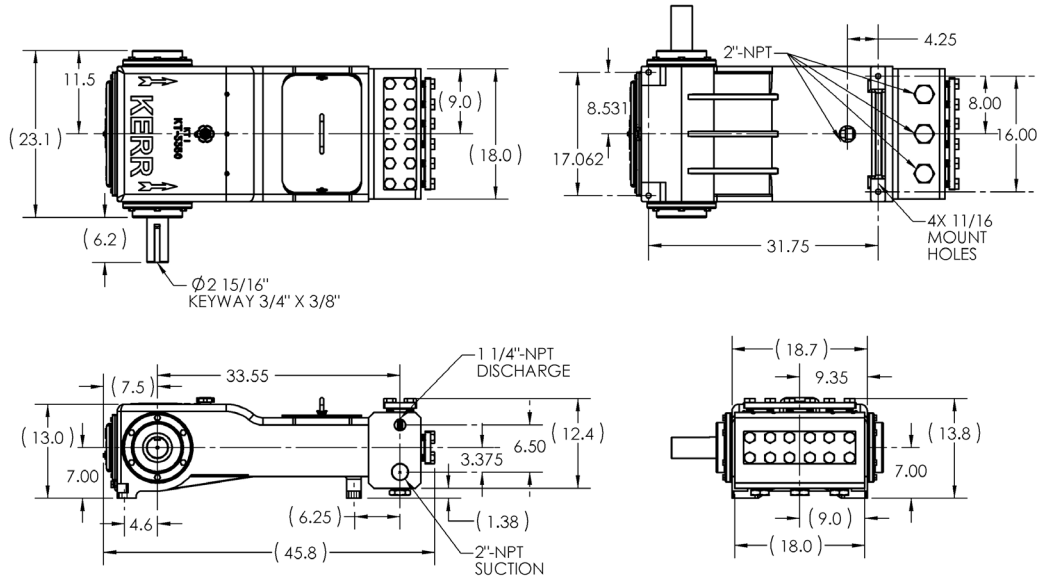
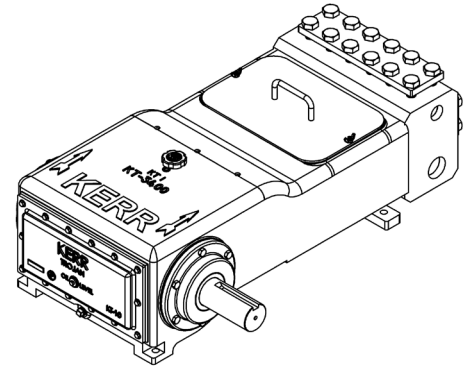
KERR

PUMPS

KT-3400HP

106 BHP Triplex Plunger Pump

Intermittent Duty



GENERAL DIMENSIONS FOR KT-3400HP

PLGR DIA. INCHES	MAX PRESS PSI	DISP GAL PER REV	DISPLACEMENT																	
			100 RPM		140 RPM		180 RPM		220 RPM		260 RPM		300 RPM		340 RPM		380 RPM		420 RPM	
			GPM	BPD	GPM	BPD	GPM	BPD	GPM	BPD	GPM	BPD	GPM	BPD	GPM	BPD	GPM	BPD	GPM	BPD
1.250	6000	0.0637	6.4	219	8.9	306	11.5	394	14.0	481	16.6	569	19.1	656	21.7	743	24.2	831	26.8	918
1.500	4283	0.0918	9.2	315	12.9	441	16.5	567	20.2	693	23.9	819	27.5	945	31.2	1071	34.9	1197	38.6	1322
1.750	3147	0.1249	12.5	429	17.5	600	22.5	771	27.5	943	32.5	1114	37.5	1286	42.5	1457	47.5	1629	52.5	1800

* Consult Factory for Authorized Drawings for Dimensions

1) Displacement is based on 100% Volumetric Efficiency (VE)

2) Consult factory for operating speeds above maximum shown

3) 1 US gallon = 3.78541 liters