

TGH Triplex Well Servicing Pump

WELL SERVICING

400 HP, 8" Stroke for Intermittent Service

Gardner Denver TGH heavy-duty well servicing pumps are built for outstanding performance in a rugged environment.

- Eccentric construction
- Right or left-hand drive extension
- Pressure lubrication of power end
- Clamp type connections between plungers and push rods
- Bolted type stuffing boxes
- Non-adjustable type packing
- Suction and discharge on either side
- Total gear ratio: 10:15 to 1 (standard)

PERFORMANCE RATINGS – INTERMITTENT SERVICE

Pump RPM	Input RPM	PISTON* DIAMETER				PLUNGER OR PISTON* DIAMETER							
		5 IN		172 MM		4 1/2 IN		114 MM		4 IN		102 MM	
		GPM	PSI	LPM	KG/CM2	GPM	PSI	LPM	KG/CM2	GPM	PSI	LPM	KG/CM2
175	1776	357.0	1632	1351	114.7	289.2	2015	1095	141.7	228.5	2551	865	197.4
150	1522	306	1904	1158	133.9	247.8	2351	938	165.3	195.8	2976	741	209.2
125	1268	255	2285	965	160.7	206.5	2822	782	1984	163.2	3571	618	251.1
100	1015	204	2857	772	200.9	165.2	3527	625	248.0	130.6	4464	494	313.9
75	761	153	3809	579	267.8	123.9	4703	469	330.7	97.9	5952	371	418.5
50	507	102	4000	386	281.2	82.6	7054	313	496.0	65.3	8928	247	627.7
34	345	69.4	4000	263	281.2	56.2	10000	213	703.1	44.4	10000	168	703.1
Displacement per Revolution		2.040 GAL		7.722 LIT		1.652 GAL		6.254 LIT		1.306 GAL		3.922 LIT	

Based on 85% mechanical efficiency and 100% volumetric efficiency.

*Piston and liner construction available in 2 3/4", 3", 3 1/2" and 4" only.

**The duty cycle of a pump rated for intermittent duty is not to exceed 30 minutes at loads above the maximum established for continuous running followed by an equal period at no load.

Note: Use plungers/packing for acid service or pressures in excess of 4,000 PSI. Pistons/liners are not recommended for these applications.

**Gardner
Denver**

Pumping Perfected.™

TGH Triplex Well Servicing Pump

STANDARD FEATURES

- Colmonoy plungers and packing or piston and liner construction
- Hardened forged steel dual stem guided valves with urethane inserts
- Three piece block steel fluid cylinders
- Fabricated suction and discharge openings
- Lubricating oil pump and filter
- External gear reduction
- Auxillary crosshead lubrication system
- Cast iron suction manifold
- Companion flanges on suction discharge
- Water to oil heat exchanger

OPTIONAL FEATURES

- Mechanical lubricator for plunger stuffing box packing
- Suction and discharge surge chambers
- Relief valve
- Fabricated steel skid and motor or engine
- Rod washing system (mounted only on unitized packages)
- Fabricated suction manifold
- Hardened steel plungers

CRANKCASE OIL CAPACITY: 30 gallons (114 liters)

SUCTION OPENING: 6" (152 mm) 150# welding flange

DISCHARGE CONNECTION: 2 9/16" (66 mm) weld neck API 10,000# PSI beveled for welding either side

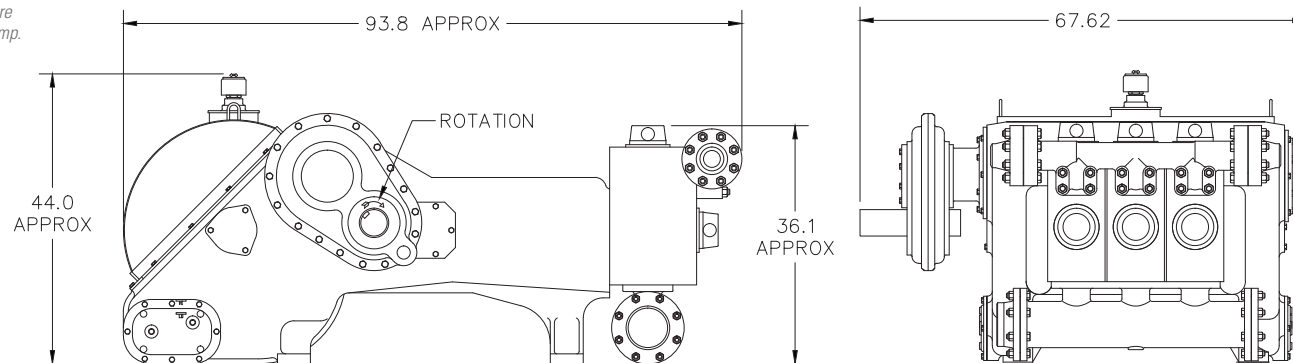
LENGTH: 93.2" (1230mm)

HEIGHT: 51.5" (1310mm)

WEIGHT: Dry, less optional skid: 9,360 lbs (4,246 kg)

SPECIFICATIONS

Note: All installations must contain a pressure relief valve in the discharge line near the pump.



CONNECT WITH US: