

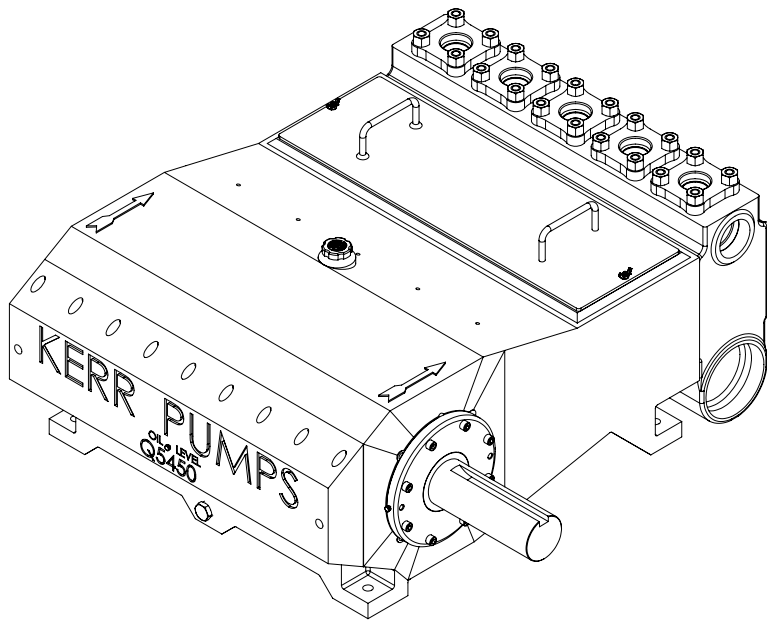
# KERR

## PUMPS

### Q45M

407 BHP Quintuplex Plunger Pump

Intermittent Duty



### SPECIFICATIONS

Configuration	Horizontal Quintuplex Plunger
Number of Plungers	5
Stroke Length	4.5" / 114.3 mm
Frame Load Rating	14,986 lbs
Fluid Cylinder Pressure Rating	2,160 PSI
Pump Weight (Avg.)	4,100 lbs / 1,860 kilos
Kerr Max Speed	430 RPM
Minimum Speed	100 RPM
Mechanical Efficiency (Bare Shaft)	90%
Lube System (Standard)	Splash - Gravity Feed
Lube System (Optional)	Force Feed
Lube Oil Capacity	22.5 gallons / 85.2 liters
Lube Oil Type	Petroleum per AGMA 5EP (ISO 220) or Synthetic per SAE 75W-90 (ISO 100)
Connection Sizes	6" NPT Suction 3" NPT Discharge

### FLUID END

Cast Carbon Steel (WCB)
Cast Nickel Aluminium Bronze (955)
Cast Stainless Steel CF8M (316)
Cast Duplex SS CD3MN (2205)
Forged Carbon Steel (A105)
Forged Stainless Steel (316)

### VALVES

DISC TYPE / SEAT (MAX. 2,160 PSI)	
Delrin Disc / SS (316)	
Delrin / Ni-Al-Brz (955)	
Delrin / Duplex SS (CD4MCU)	
SS (316) / SS (316)	
Titanium / SS (316)	
PEEK / SS (316)	

### PLUNGERS

Colmonoy 730 Hard Coat
Solid Ceramic (2,160 Max. PSI)
Kerramic (Ceramic) Coated
Solid 316 Stainless Steel

\* Consult Factory for Authorized Drawings for Dimensions

1) Displacement is based on 100% Volumetric Efficiency (VE)

2) Consult factory for operating speeds above maximum shown

3) 1 US gallon = 3.78541 liters

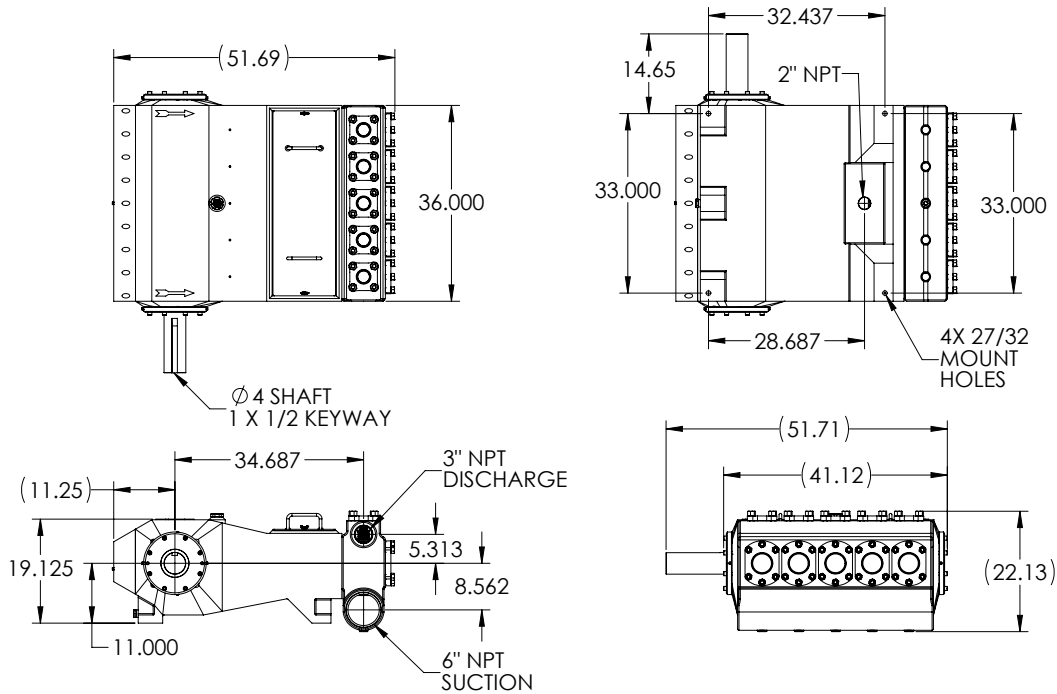
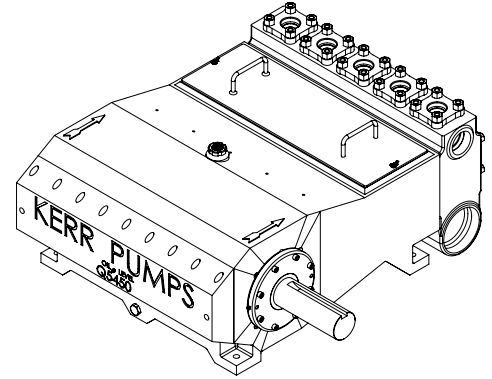
# KERR

## PUMPS

### Q45M

407 BHP Quintuplex Plunger Pump

Intermittent Duty



PLGR DIA. INCHES	MAX PRESS PSI	DISP GAL PER REV	DISPLACEMENT																	
			100 RPM		150 RPM		200 RPM		250 RPM		275 RPM		310 RPM		330 RPM		350 RPM		430 RPM	
			GPM	BPD	GPM	BPD	GPM	BPD	GPM	BPD	GPM	BPD	GPM	BPD	GPM	BPD	GPM	BPD	GPM	BPD
2.750	2160	0.5785	57.9	1984	86.8	2977	116	3969	145	4961	159	5457	179	6152	191	6548	202	6945	249	8533
3.000	2120	0.6885	68.8	2362	103	3542	138	4723	172	5904	189	6494	213	7321	227	7793	241	8265	296	10155
3.250	1806	0.8080	80.8	2772	121	4157	162	5543	202	6929	222	7622	250	8592	267	9146	283	9700	347	11918
3.500	1558	0.9371	93.7	3214	141	4821	187	6429	234	8036	258	8839	291	9964	309	10607	328	11250	403	13822
3.750	1357	1.0758	108	3690	161	5535	215	7380	269	9225	296	10147	333	11439	355	12177	377	12915	N / A	
4.000	1193	1.2240	122	4198	184	6297	245	8397	306	10496	337	11545	379	13015	404	13854	428	14694	N / A	
4.250	1056	1.3818	138	4739	207	7109	276	9479	345	11849	380	13034	428	14692	N / A		N / A		N / A	
4.500	942	1.5491	155	5313	232	7970	310	10627	387	13284	426	14612	N / A		N / A		N / A		N / A	

\* Consult Factory for Authorized Drawings for Dimensions

1) Displacement is based on 100% Volumetric Efficiency (VE)

2) Consult factory for operating speeds above maximum shown

3) 1 US gallon = 3.78541 liters