

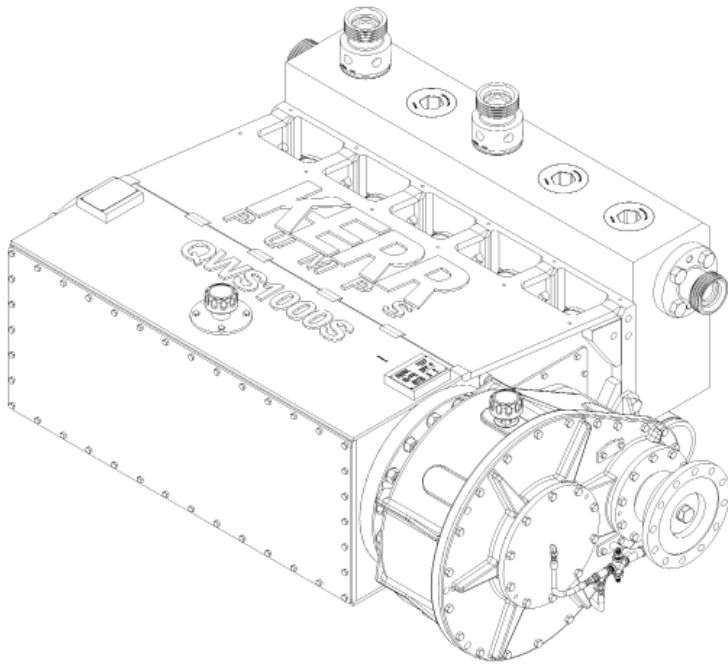
KERR

PUMPS

QWS1000S

1000 BHP Quintuplex Plunger Pump

Well Service Duty



SPECIFICATIONS

Configuration	Horizontal Quintuplex Plunger
Number of Plungers	5
Stroke Length	6" / 152.4 mm
Frame Load Rating	100,000 lbs
Fluid Cylinder Pressure Rating	15,000 PSI
Pump Weight (Avg.)	7100 lbs / 3220 kilos
Kerr Max Speed	450 RPM
Minimum Speed	50 RPM
Gear Reduction Ratio	4.61:1
Mechanical Efficiency	90%
Lube System (Standard)	Pressure Feed
Lube Oil Capacity	Dry Sump
Lube Oil Type	Petroleum per AGMA 5EP (ISO 220)
Connection Sizes	6" Victaulic Suction 3" NPT Discharge

FLUID END

Forged Alloy Steel (4330 VM)
Forged Stainless Steel (17-4 PH)

VALVES

WING GUIDED INSERT WITH O-RING SEAT

PLUNGERS

Colmonoy 730 Hard Coat

* Consult Factory for Authorized Drawings for Dimensions

1) Displacement is based on 100% Volumetric Efficiency (VE)

2) Consult factory for operating speeds above maximum shown

3) 1 US gallon = 3.78541 liters

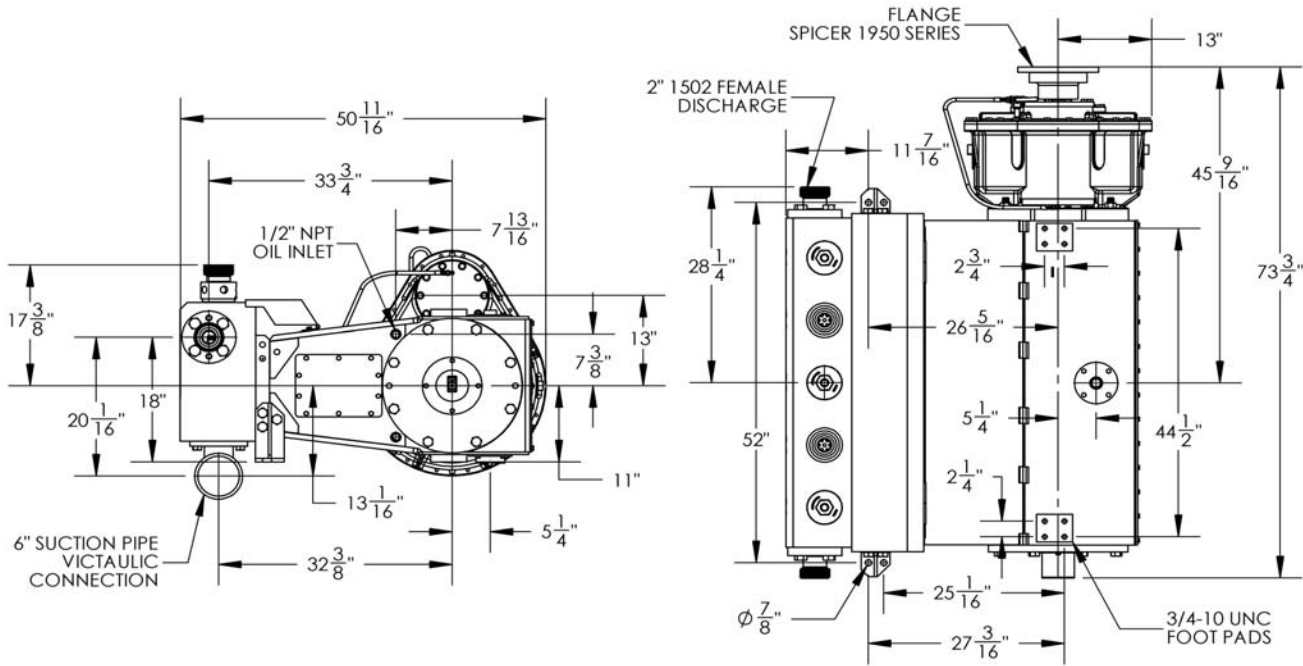
KERR

PUMPS

QWS1000S

1000 BHP Quintuplex Plunger Pump

Well Service Duty



QWS1000S-3 QUINTUPLEX PLUNGER PUMP

		Plunger Diameter			Plunger Diameter		
Diameter ~ inch		2.750			3.000		
Gal / Min per RPM		0.7714			0.9810		
Bbl / Min per RPM		0.0184			0.0219		
Crankshaft RPM	BHP (2) Required	PSI	GPM (1)	BPM (1)	PSI	GPM (1)	BPM (1)

450	1000	4444	347	8.3	3734	413	9.8
400	1000	5000	309	7.4	4201	367	8.7
350	1000	5714	270	6.4	4801	321	7.6
300	1000	6666	231	5.5	5601	275	6.5
250	1000	7999	193	4.6	6722	229	5.5
200	1000	9999	154	3.7	8402	184	4.4
150	1000	13332	116	2.8	11203	138	3.3
100	893	15000	77.1	1.8	15000	92	2.2
50	446	15000	38.6	0.9	15000	45.9	1.1

* Consult Factory for Authorized Drawings for Dimensions

1) Displacement is based on 100% Volumetric Efficiency (VE)

2) Consult factory for operating speeds above maximum shown

3) 1 US gallon = 3.78541 liters

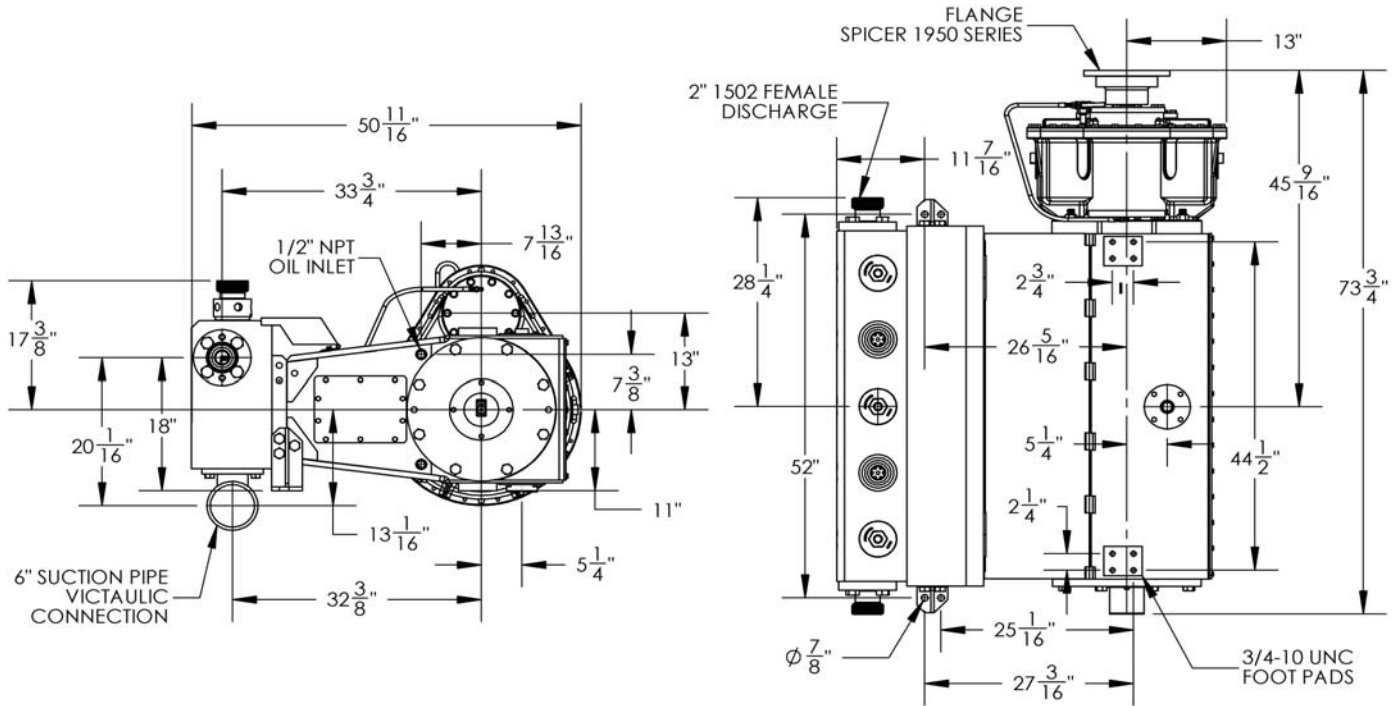
KERR

PUMPS

QWS1000S

1000 BHP Quintuplex Plunger Pump

Well Service Duty



QWS1000S-4.5 QUINTUPLEX PLUNGER PUMP

		Plunger Diameter			Plunger Diameter			Plunger Diameter		
		3.500			4.000			4.500		
Diameter ~ inch		3.500			4.000			4.500		
Gal / Min per RPM		1.2495			1.6320			2.0655		
Bbl / Min per RPM		0.0297			0.0389			0.0492		
Crankshaft RPM	BHP (2) Required	PSI	GPM (1)	BPM (1)	PSI	GPM (1)	BPM (1)	PSI	GPM (1)	BPM (1)

450	1000	2744	562	13.4	2100	734	17.5	1660	929	22.1
400	1000	3086	500	11.9	2363	653	15.5	1867	826	19.7
350	1000	3527	437	10.4	2701	571	13.6	2134	723	17.2
300	1000	4115	375	8.9	3151	490	11.7	2489	620	14.8
250	1000	4938	312	7.4	3781	408	9.7	2987	516	12.3
200	1000	6173	250	5.9	4726	326	7.8	3734	413	9.8
150	1000	8231	187	4.5	6301	245	5.8	4979	310	7.4
100	842	10394	124.9	3.0	7958	163	3.9	6288	207	4.9
50	422	10394	62.5	1.5	7958	81.6	1.9	6288	103.3	2.5

* Consult Factory for Authorized Drawings for Dimensions

1) Displacement is based on 100% Volumetric Efficiency (VE)

2) Consult factory for operating speeds above maximum shown

3) 1 US gallon = 3.78541 liters