

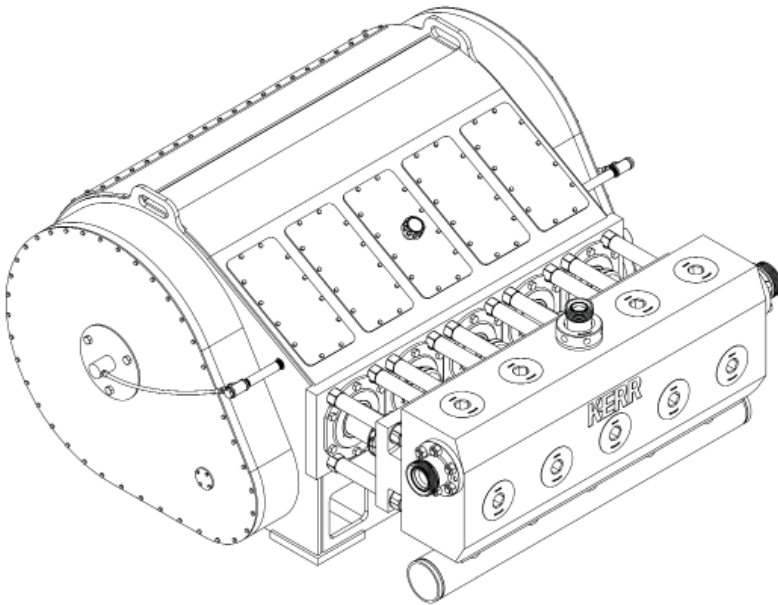
KERR

PUMPS

QWS2500HD

2500 BHP Quintuplex Plunger Pump

Well Service Duty



SPECIFICATIONS

Configuration	Horizontal Quintuplex Plunger
Number of Plungers	5
Stroke Length	8" / 203 mm
Frame Load Rating	225,000 lbs
Fluid Cylinder Pressure Rating	See Chart
Pump Weight (Avg.)	18,800 lbs / 8,549 kilos
Kerr Max Speed	330 RPM
Minimum Speed	50 RPM
Mechanical Efficiency	90%
Lube System (Standard)	Pressure Feed
Lube Oil Capacity	Dry Sump
Lube Oil Type	Petroleum per AGMA 5EP (ISO 220)
Connection Sizes	6" Victaulic Groove Suction 2" FIG 1502 Fem

FLUID END

Forged Alloy Steel (4330 VM)
Forged Stainless Steel (17-4 PH)

VALVES

WING GUIDED INSERT WITH O-RING SEAT

PLUNGERS

Colmonoy 730 Hard Coat
Black Gold

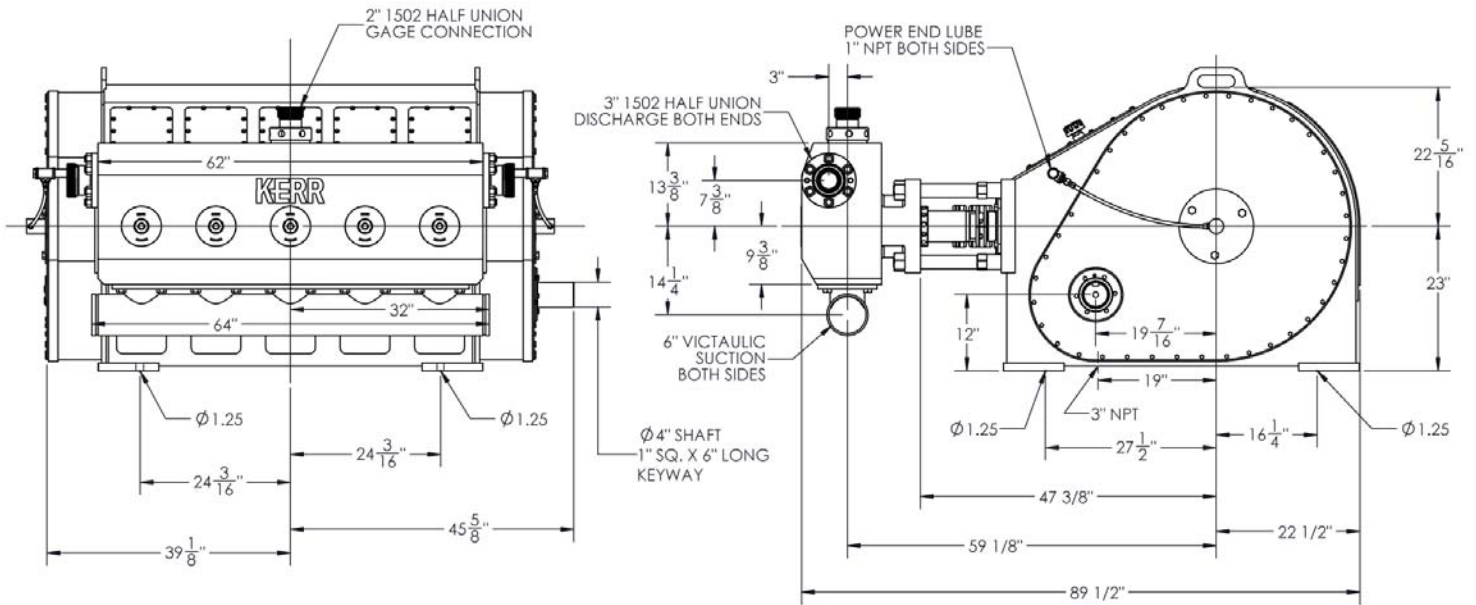
* Consult Factory for Authorized Drawings for Dimensions
 1) Displacement is based on 100% Volumetric Efficiency (VE)
 2) Consult factory for operating speeds above maximum shown
 3) 1 US gallon = 3.78541 liters

KERR PUMPS

QWS2500HD

2500 BHP Quintuplex Plunger Pump

Well Service Duty



DIAMETER	PER REV	50.00	318.00	100.00	635.00	200.00	1271.00	300.00	1906.00	330.00	2096.00
inch	GPM//REV	GPM	PSI	GPM	PSI	GPM	PSI	GPM	PSI	GPM	PSI
mm	liter/rev	lpm	kg/cm ²	lpm	kg/cm ²	lpm	kg/cm ²	lpm	kg/cm ²	lpm	kg/cm ²
4.00	2.18	109	17905	218	17733	435.00	8867	653	5911	718	5374
101.60	8.24	412	1259	824	1247	1647.00	623	2471	416	2718	378
4.50	2.75	138	14147	275	14011	551.00	7006	826	4670	909	4246
114.30	10.42	521	995	1042	985	2085.00	493	3127	328	3440	299
5.00	3.40	170	11459	340	11349	680.00	5675	1020	3783	1122	3439
127.00	12.87	644	806	1287	798	2574.00	399	3861	266	4247	242
5.50	4.11	206	9470	411	9380	823.00	4690	1234	3127	1358	2842
139.70	15.57	779	666	1557	659	3115.00	330	4672	220	5139	200
6.00	4.90	245	7958	490	7881	979.00	3941	1469	2627	1616	2388
152.40	18.53	927	559	1853	554	3707.00	277	5560	185	6116	168
6.50	5.75	287	6781	575	6716	1149.00	3358	1724	2239	1896	2035
165.10	21.75	1088	477	2175	472	4350.00	236	6525	157	7178	143

INPUT POWER					
BHP	1265.00	2500.00	2500.00	2500.00	2500.00
Kw	943.31	1864.25	1864.25	1864.25	1864.25

* Consult Factory for Authorized Drawings for Dimensions

1) Displacement is based on 100% Volumetric Efficiency (VE)

2) Consult factory for operating speeds above maximum shown

3) 1 US gallon = 3.78541 liters